

AXIS P33 Network Camera Series – Outdoor models

Fixed domes for any environment with remote focus and zoom.



- > 5MP and HDTV
- > WDR and Lightfinder
- > Built-in IR illumination
- > Remote focus and zoom
- > P-Iris control
- > IK10 impact-resistant, outdoor-ready models

AXIS P33 Network Cameras constitute a series of indoor and outdoor-ready fixed domes. These cameras are ideal for unobtrusive video surveillance, day and night, in exposed areas such as city surveillance, airports, railway stations, retail stores, office buildings, museums, schools and university campuses.

AXIS P33 Series offers models with exceptional image quality from SVGA resolution up to 5 megapixel, including SMPTE-compliant HDTV 720p and 1080p video. AXIS P33 Series provides multiple, individually configurable H.264 and Motion JPEG video streams.

The SVGA and HDTV 720p/1MP models support Axis' Lightfinder technology, which makes these cameras extremely sensitive to low light. AXIS P3384-VE that additionally supports wide dynamic range (WDR) with 'dynamic capture', provides outstanding video quality in the most demanding conditions with strong variations in light. The 5 megapixel model, AXIS P3367-VE, can cover a large area with exceptional detail and light sensitivity. All AXIS P33 models support P-Iris control for optimal image clarity.

AXIS P3364-LVE incorporates new long-life LED technology that is highly power-efficient. Adjustable in angle and intensity, the built-in IR solution offers easy configuration optimizing for the scene. All AXIS P33 cameras support the remote focus capability that eliminates hands-on focusing at the camera, and remote zoom that allows the camera's angle of view to be optimized.

All AXIS P33 cameras offer digital pan/tilt/zoom and the 3-megapixel and 5-megapixel models additionally provide multi-view streaming. The weatherproof AXIS P33-VE/-LVE cameras have low, environmental-friendly power consumption supplied by standard Power over Ethernet (IEEE 802.3af), and operate in a wide temperature range from -40 °C to 55 °C (-40 °F to 131 °F).



Fixed domes designed for efficient installation

Outdoor-ready models of AXIS P33 Series are the perfect choice for a wide range of demanding video applications. AXIS P33 Network Cameras are designed for professional video surveillance with easy and reliable installation in focus.

Outdoor-ready installation for tough climates

The outdoor models of AXIS P33 Series are specially designed for reliable, vandal-resistant and weather-proof installation, with pre-installed heater and fan, and an integrated dehumidifying membrane eliminating any humidity caught in the camera casing during installation. These cameras come with a 5 m (16 ft.) Ethernet cable with a pre-mounted, specially designed gasket, enabling flush wall mounting and requiring no additional sealant. A weather shield is also included for effective protection against reflections from sunlight, or build-ups of rain or snow; except for the AXIS P3364-LVE model, for which the shield could interfere with the built-in IR illumination. A wide range of optional mounting kits are available, for example for mounting on a wall, pole or corner.

Lightfinder technology

The SVGA and HDTV 720p/1MP models of AXIS P33 Series incorporate Axis' unique Lightfinder technology. The outstanding light sensitivity, with maintained colors even in very poor lighting conditions, is obtained by a combination of Axis' expertise in image processing, system-on-chip development and selection of the best optical components.

For more on Lightfinder technology, go to: www.axis.com/corporate/corp/tech_papers.htm

Wide dynamic range – dynamic capture

AXIS P3384-VE that supports WDR with 'dynamic capture' is ideal for surveillance in areas with strong variations in light, for instance in tunnel passages, and other areas where the sunlight creates both very bright zones and dark shadows. AXIS P3384-VE enables easy and clear identification of people and objects both in bright and dark areas.

Built-in IR illumination

AXIS P3364-LVE features built-in IR illumination based on new, long-life LED technology that is highly power-efficient. This results in high-quality, low-noise video also when the environment is completely dark.

P-Iris control

AXIS P33 Series features the advanced precise iris control that comprises a special P-Iris lens, together with dedicated software in the camera, to set the best iris position for optimal depth of field, resolution, image contrast and clarity. Good depth of field implies that objects at different distances from the camera are in focus simultaneously.

For more on P-Iris and iris control, go to: www.axis.com/corporate/corp/tech_papers.htm

Easy installation

AXIS P33 Network Cameras offer unique installation capabilities including remote focus and zoom. The remote focus feature enables convenient focusing over the network, eliminating the need for hands-on fine-tuning at the camera. The remote zoom functionality ensures that the camera's angle of view is optimized for the area to be monitored. The pixel counter assures that the required pixel resolution is met. The built-in IR resolution in AXIS P3364-LVE automatically adapts the illumination angle with the zoom level, which simplifies installation.



Technical Specifications – AXIS P33 Network Camera Series, outdoor models

Camera	
Outdoor models	AXIS P3363-VE: SVGA, Lightfinder AXIS P3364-VE: 1 MP, Lightfinder AXIS P3364-LVE: 1 MP, IR illumination, Lightfinder AXIS P3384-VE: 1 MP, WDR - dynamic capture, Lightfinder AXIS P3346-VE: 3 MP, multi-view streaming AXIS P3367-VE: 5 MP, multi-view streaming <i>Note: All models are vandal resistant and support audio and I/O ports 6 mm and 12 mm as suffix refer to lens model</i>
Image sensor	AXIS P3363-VE: Progressive scan RGB CMOS 1/3" AXIS P3364-VE/-LVE: Progressive scan RGB CMOS 1/3" AXIS P3384-VE: Progressive scan RGB CMOS 1/3" AXIS P3346-VE: Progressive scan RGB CMOS 1/3" (effective) AXIS P3367-VE: Progressive scan RGB CMOS 1/3.2"
Lens	Varifocal, remote focus and zoom, P-Iris control, IR corrected, megapixel resolution AXIS P3363-VE/P3364-VE 6 mm: 2.5-6 mm, 105° - 49° view*, F1.2 AXIS P3363-VE/P3364-VE/P3364-LVE 12 mm: 3.3-12 mm, 82° - 24° view*, F1.4 AXIS P3384-VE: 3-9 mm, 84° - 30° view*, F1.2 AXIS P3346-VE: 3-9 mm, 84° - 30° view*, F1.2 AXIS P3367-VE: 3-9 mm, 84° - 30° view*, F1.2 *horizontal angle of view
Day and night	Automatically removable infrared-cut filter
Minimum illumination	AXIS P3363-VE/P3364-VE 6 mm: Color: 0.1 lux, F1.2, B/W: 0.02 lux, F1.2 AXIS P3363-VE/P3364-VE 12 mm: Color: 0.15 lux, F1.4, B/W: 0.03 lux, F1.4 AXIS P3364-LVE 12 mm: Color: 0.18 lux, F1.4, B/W: 0.04 lux, 0 lux with IR illumination on AXIS P3384-VE: Color: 0.5 lux, F1.2, B/W: 0.08 lux, F1.2 with dynamic capture Color: 0.15 lux, F1.2, B/W: 0.03 lux, F1.2 with Lightfinder AXIS P3346-VE: Color: 0.5 lux, F1.2, B/W: 0.08 lux, F1.2 AXIS P3367-VE: Color: 0.2 lux, B/W: 0.04 lux, F1.2
Shutter time	AXIS P3363-VE/P3364-VE/P3364-LVE: 1/24500 s to 2 s with power line frequency 50 Hz, 1/29500 s to 2 s with power line frequency 60 Hz AXIS P3384-VE: Dynamic capture: 1/192 s to 1/37 s with power line frequency 50 Hz, 1/231 s to 1/44 s with power line frequency 60 Hz; Lightfinder: 1/24500 s to 2 s with power line frequency 50 Hz, 1/29500 s to 2 s with power line frequency 60 Hz AXIS P3346-VE: 1/35500 s to 1/6 s AXIS P3367-VE: 1/28000 s to 2 s
Camera angle adjustment	AXIS P3363-VE/P3364-VE/P3364-LVE: Pan 360°, tilt 170°, rotation 340° AXIS P3384-VE/P3346-VE/P3367-VE: Pan 360°, tilt 160°, rotation 340°
Video	
Video compression	H.264 Baseline and Main Profile (MPEG-4 Part 10/AVC) Motion JPEG
Resolutions	AXIS P3363-VE: 800x600 (SVGA) to 160x90 AXIS P3364-VE/P3364-LVE/P3384-VE: 1280x960* (approx. 1.3 MP) to 160x90 AXIS P3346-VE: 2048x1536 (3 MP) to 160x90 AXIS P3367-VE: 2592x1944 (5 MP) to 160x90 *1400x1050 (1.4 MP) scaled resolution available via VAPIX®
Frame rate H.264/ Motion JPEG	AXIS P3363-VE/P3364-VE/P3364-LVE/P3384-VE: 25/30 fps with power line frequency 50/60 Hz AXIS P3346-VE: 3 MP capture mode: 20 fps in all resolutions; HDTV 1080p (1920x1080) and 2 MP 4:3 (1600x1200) capture modes: 30 fps in all resolutions AXIS P3367-VE: 5 MP capture mode: 12 fps in all resolutions; and capable of all AXIS P3346-VE capture modes

Video streaming	Multiple, individually configurable streams in H.264 and Motion JPEG Controllable frame rate and bandwidth VBR/CBR H.264
Multi-view streaming	AXIS P3346-VE/P3367-VE: Up to 8 individually cropped out view areas AXIS P3346-VE: When streaming 4 view areas and 1 overview in VGA resolution, the frame rate is 20 fps per stream (3 MP capture mode) AXIS P3367-VE: When streaming 4 view areas and 1 overview in VGA resolution, the frame rate is 12 fps per stream (5 MP capture mode) or 20 fps per stream (3 MP capture mode)
Pan/Tilt/Zoom	Digital PTZ, preset positions, guard tour
Image settings	Compression, color, brightness, sharpness, contrast, white balance, exposure control, exposure zones, backlight compensation, WDR - dynamic contrast, fine tuning of low light behavior Rotation: 0°, 90°, 180°, 270°, including Corridor Format Text and image overlay, privacy mask, mirroring of images AXIS P3384-VE: WDR - dynamic capture: Up to 120 dB (0.5 - 500,000 lux) depending on scene
Audio	
Audio streaming	Two-way
Audio compression	AAC LC 8/16 kHz, G.711 PCM 8 kHz, G.726 ADPCM 8 kHz Configurable bit rate
Audio input/output	External microphone input or line input, line output
Network	
Security	Password protection, IP address filtering, digest authentication, user access log, IEEE 802.1X** network access control, HTTPS** encryption
Supported protocols	IPv4/v6, HTTP, HTTPS**, SSL/TLS**, QoS Layer 3 DiffServ, FTP, CIFS/SMB, SMTP, Bonjour, UPnP™, SNMPv1/v2c/v3(MIB-II), DNS, DynDNS, NTP, RTPSP, RTP, TCP, UDP, IGMP, RTCP, ICMP, DHCP, ARP, SOCKS
System integration	
Application Programming Interface	Open API for software integration, including the ONVIF specification available at www.onvif.org , as well as VAPIX® and AXIS Camera Application Platform from Axis Communications, specifications available at www.axis.com Support for AXIS Video Hosting System (AVHS) with One-Click Camera connection
Intelligent video	Video motion detection, active tampering alarm, audio detection Support for AXIS Camera Application Platform enabling installation of additional applications
Event triggers	Intelligent video, external input, edge storage events
Event actions	File upload: FTP, HTTP, network share and email Notification: email, HTTP and TCP External output activation Video and audio recording to edge storage Pre- and post-alarm video buffering Play audio clip PTZ preset, guard tour AXIS P3364-LVE: Activation of IR illumination
Data streaming	Event data
Built-in installation aids	Remote zoom, remote focus, pixel counter AXIS P3364-LVE: adjustable IR illumination angle and intensity

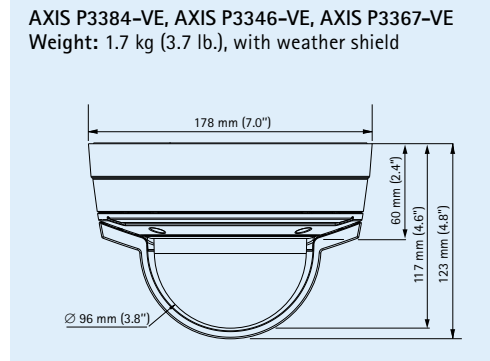
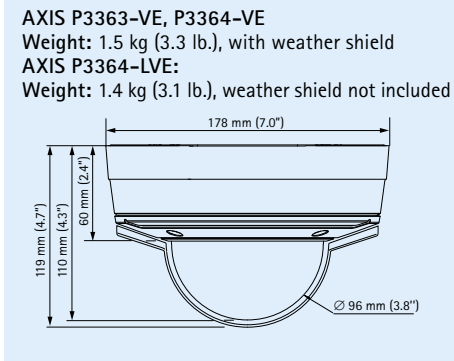
** This product includes software developed by the OpenSSL Project for use in the OpenSSL Toolkit. (www.openssl.org)

Technical Specifications (cont.) – AXIS P33 Network Camera Series, outdoor models

General	
Casing	Polycarbonate transparent cover Aluminum inner camera module with encapsulated electronics Color: white NCS S 1002-B IP66- and NEMA 4X-rated, IK10 impact-resistant casing with aluminum base and dehumidifying membrane
Memory	256 MB RAM, 128 MB Flash AXIS P3367-VE: 512 MB RAM, 128 MB Flash
Power	Power over Ethernet IEEE 802.3af AXIS P3363-VE/P3364-VE/P3364-LVE/P3384-VE/P3367-VE: Class 3; max 12.1 W AXIS P3346-VE: Class 3; max 12.8 W
Connectors	RJ-45 10BASE-T/100BASE-TX PoE Terminal block for 1 alarm input and 1 output 3.5 mm mic/line in, 3.5 mm line out
IR illumination	AXIS P3364-LVE: Power-efficient, long-life IR LED's with adjustable angle of illumination and intensity. Range of reach up to 30 m (100 ft.) depending on scene
Edge storage	SD/SDHC/SDXC slot supporting memory cards up to 64 GB (card not included) Support for recording to network share (network-attached storage or file server)
Operating conditions	-40 °C to 55 °C (-40 °F to 131 °F) Humidity 10 - 100% RH (condensing)
Approvals	EN 50121-4, EN 55022, EN 55024, EN 61000-6-1, EN 61000-6-2, IEC/EN/UL 60950-1, IEC 60068-2-1, IEC 60068-2-2, IEC 60068-2-14, IEC 60068-2-27, IEC 60068-2-64, IEC 60068-2-78, IEC 60529 IP66, NEMA 250 Type 4X, IEC 62236-4, IEC 62262 IK10, FCC Part 15, Subpart B Class B, ICES-003 Class B digital, VCCI, ITE, C-tick AS/NZS CISPR 22, KCC AS/NZS CISPR 22, KN 22, KN 24 AXIS P3364-LVE: EN 62471
Included accessories	Installation Guide, Installation and Management Software CD, Windows decoder 1-user license, connector kit, mounting bracket, 5 m (16 ft.) network cable with pre-mounted gasket AXIS P3363-VE/P3364-VE/P3384-VE/P3346-VE/P3367-VE: Weather shield, smoked transparent cover

More information is available at www.axis.com

Dimensions and weight – AXIS P33 Network Camera Series, outdoor models



Accessories – AXIS P33 Network Camera Series, outdoor models

Optional accessories for outdoor models

Pendant adapter kit including weather shield



AXIS T91A Brackets



Wall



Corner

I/O audio cable, 5 m (16 ft.)




Axis illuminators



Cable shield, optionally including AXIS P33-VE 3/4" NPS adapter



Video management software



AXIS Camera Companion (included), AXIS Camera Station and video management software from Axis' Application Development Partners (not included). For more information, see www.axis.com/products/video/software