

## AXIS M3011 and AXIS M3014 Network Cameras

Ultra-discreet, recessed-mount video surveillance solutions.



- > Ultra-discreet fixed dome design
- > HDTV quality
- > Multiple H.264 streams
- > Easy installation
- > Power over Ethernet

AXIS M3011 and AXIS M3014 Network Cameras, with their innovative and unique design, are specifically developed for recessed mounting in drop ceilings, offering unmatched, discreet video surveillance solutions that are ideal for retail stores, banks and other office buildings.

With their ultra-discreet fixed dome design, AXIS M3011 and AXIS M3014 measure only 9 cm (3.6") wide and protrude only 3 cm (1.2") from the ceiling. To suit interior design the cover ring is available in a range of colors.

The cameras are innovatively designed for quick and easy installation in drop ceilings. Power over Ethernet (IEEE 802.3af) supplies power to the cameras via the network, eliminating the need for power cables and reducing installation costs.

The cameras use progressive scan, providing full resolution images of moving objects without distortion, at 30 frames per second. AXIS M3011 provides crisp and clear images in VGA resolution, whereas the AXIS M3014 delivers high-quality HDTV 720p or 1 megapixel video, perfect for critical areas such as entrances or checkouts that need to be monitored in greater detail.

Multiple H.264 streams, as well as Motion JPEG streams, can be provided simultaneously either in full frame rate or individually optimized for different quality needs and bandwidth constraints. AXIS M3011 also supports MPEG-4 Part 2 for backward compatibility.



## Technical Specifications – AXIS M3011 and AXIS M3014 Network Cameras

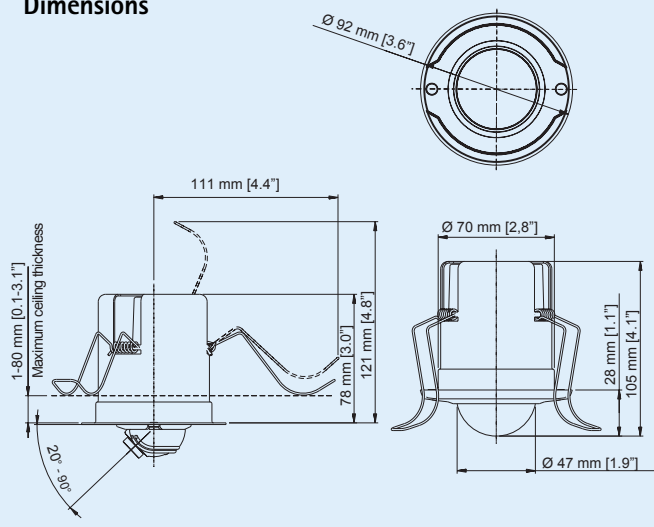
Camera	
<b>Image sensor</b>	AXIS M3011: 1/4" Progressive scan RGB CMOS VGA AXIS M3014: 1/4" Progressive scan RGB CMOS 1 Megapixel
<b>Lens</b>	AXIS M3011: 3.0 mm, F2.0, fixed iris Horizontal angle of view: 66° AXIS M3014: 2.8 mm, F2.0, fixed iris Horizontal angle of view: 80°
<b>Light sensitivity</b>	1 - 100000 lux, F2.0
<b>Shutter time</b>	AXIS M3011: 1/5000 s to 1/4 s AXIS M3014: 1/25000 s to 1/6 s
Video	
<b>Video compression</b>	AXIS M3011: H.264 (MPEG-4 Part 10/AVC), Motion JPEG, MPEG-4 Part 2 (ISO/IEC 14496-2) AXIS M3014: H.264 (MPEG-4 Part 10/AVC), Motion JPEG
<b>Resolutions</b>	AXIS M3011: 640x480 to 160x120 AXIS M3014: 1280x800 to 160x90
<b>Frame rate H.264</b>	AXIS M3011: 30 fps AXIS M3014: 25 fps with power line frequency 50 Hz
<b>Frame rate Motion JPEG</b>	AXIS M3014: 30 fps with power line frequency 60 Hz
<b>Frame rate MPEG-4 Part 2</b>	AXIS M3011: 30 fps
<b>Video streaming</b>	AXIS M3011: Multiple, individually configurable streams in H.264, Motion JPEG and MPEG-4 Part 2 AXIS M3014: Multiple, individually configurable streams in H.264 and Motion JPEG Controllable frame rate and bandwidth VBR/CBR H.264
<b>Pan/Tilt/Zoom</b>	AXIS M3014: Digital PTZ, preset positions, guard tour
<b>Image settings</b>	Compression, color, brightness, sharpness, contrast, white balance, exposure control, exposure zones, backlight compensation, fine tuning of behavior at low light, rotation Text and image overlay Privacy mask AXIS M3014: Mirroring of images
Network	
<b>Security</b>	Password protection, IP address filtering, HTTPS* encryption, IEEE 802.1X network access control, digest authentication, user access log
<b>Supported protocols</b>	IPv4/v6, HTTP, HTTPS*, QoS Layer 3 DiffServ, FTP, SMTP, Bonjour, UPnP, SNMPv1/v2c/v3(MIB-II), DNS, DynDNS, NTP, RTSP, RTP, TCP, UDP, IGMP, RTCP, ICMP, DHCP, ARP, SOCKS

System integration	
<b>Application Programming Interface</b>	Open API for software integration, including the ONVIF specification available at <a href="http://www.onvif.org">www.onvif.org</a> , as well as VAPIX® from Axis Communications, specifications available at <a href="http://www.axis.com">www.axis.com</a> Support for AXIS Video Hosting System (AVHS) with One-Click Camera connection AXIS M3014: Support for AXIS Camera Application Platform from Axis Communications, specifications available at <a href="http://www.axis.com">www.axis.com</a>
<b>Intelligent video</b>	Video motion detection, active tampering alarm
<b>Event triggers</b>	Intelligent video
<b>Event actions</b>	File upload via FTP, HTTP and email Notification via email, HTTP and TCP Pre- and post-alarm video buffering AXIS M3014: Video recording to edge storage
<b>Built-in installation aid</b>	Pixel counter
General	
<b>Casing</b>	Metal camera module holder, plastic camera module casing, plastic transparent cover and white cover ring
<b>Processor</b>	AXIS M3011: 64 MB RAM, 32 MB Flash AXIS M3014: 128 MB RAM, 128 MB Flash
<b>Power</b>	Power over Ethernet IEEE 802.3af Class 1
<b>Connectors</b>	RJ-45 10BASE-T/100BASE-TX PoE
<b>Edge Storage</b>	Support for recording to network share (Network Attached Storage or file server)
<b>Operating conditions</b>	Humidity 20 - 80% RH (non-condensing) AXIS M3011: 0 °C - 50 °C (32 °F - 122 °F) AXIS M3014: 0 °C - 45 °C (32 °F - 113 °F)
<b>Approvals</b>	EN 55022 Class B, EN 61000-3-2, EN 61000-3-3, EN 55024, FCC Part 15 Subpart B Class B, ICES-003 Class B, VCCI Class B, C-tick AS/NZS CISPR 22, KCC class B, MIC Class B, EN 60950-1
<b>Weight</b>	260 g (0.6 lb.)
<b>Included accessories</b>	Installation Guide, CD with installation tools, recording software and User's Manual, Windows decoder 1-user license

\* This product includes software developed by the OpenSSL Project for use in the OpenSSL Toolkit. ([www.openssl.org](http://www.openssl.org))

More information is available at [www.axis.com](http://www.axis.com)

### Dimensions



### Optional accessories

Different color options for cover rings



For information on AXIS Camera Station and video management software from Axis' Application Development Partners, see [www.axis.com/products/video/software/](http://www.axis.com/products/video/software/)